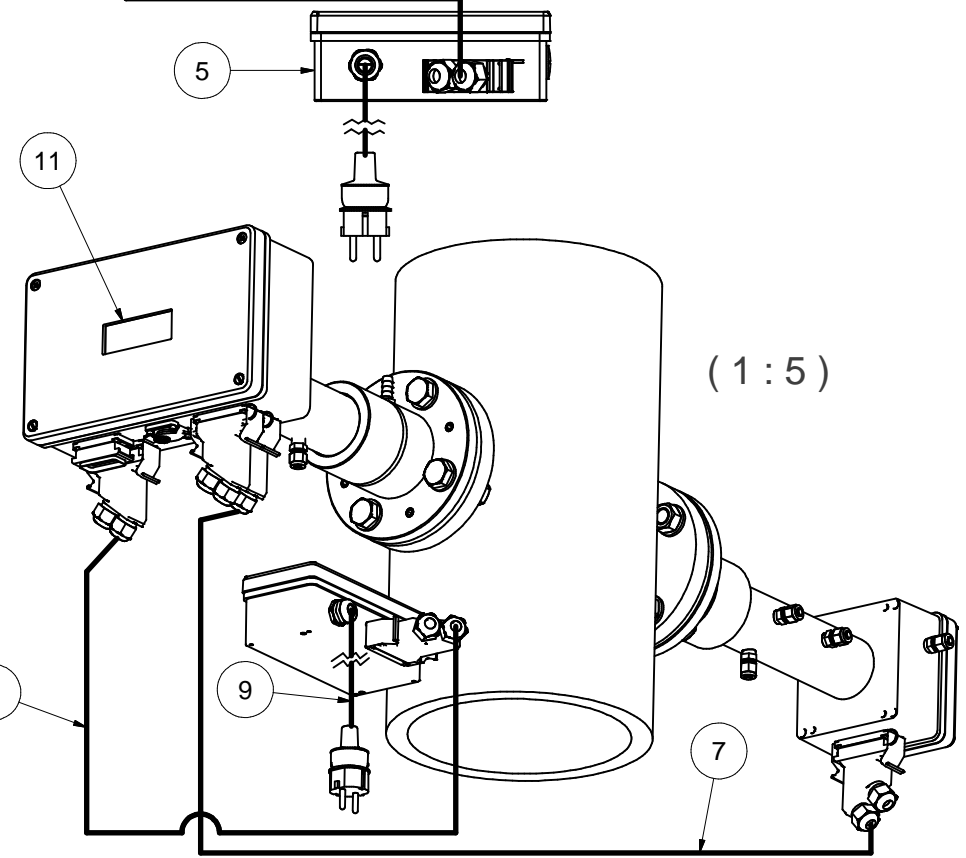


Duct



(1:5)

Parts List

ITEM	QTY	DESCRIPTION
1	1	Transmitter unit
2	1	Receiver unit
3	2	Alignment and purging unit
4	2	Adapter ring
5	1	Power supply unit, 100-240 VAC, 50/60 Hz
6	2	Flange (Made by customer)
7	1	Transmitter/Receiver cable
8	1	Power cable
9	1	Mains power cable
10	1	Connector for 4-20 mA inputs/outputs
11	1	Display
12	1	Inlet purge gas

To see the other revisions. se rev C.	26.03.2007 SEF	G	Changed text	11.06.2007 SEF	
F	sheet 4: added information	26.03.2007 SEF	H	Updated electrical wiring	22.05.2008 SEF
Rev.	Change note	Date/sign.	Rev.	Change note	Date/sign.

Date: 26.07.2004	Design/drawn: EAH	Approved: 30.08.2004 CH	Scale: 1:4 (1:5)	■■ norsk elektro optikk ■■ Norsk elektro optikk A/S Solheimveien 62 A P.b. 384 N-1471 Lørenskog
			Type of project: 	

<b>Standard instrument with alignment and purging units</b> <b>LaserGas II Single Path</b>	Replacement for:	Replacement by:
Reference:	Calculation:	Sheet: <b>13464H</b> 1 / 7

N:\acad\File\_vault\13464G.idw